











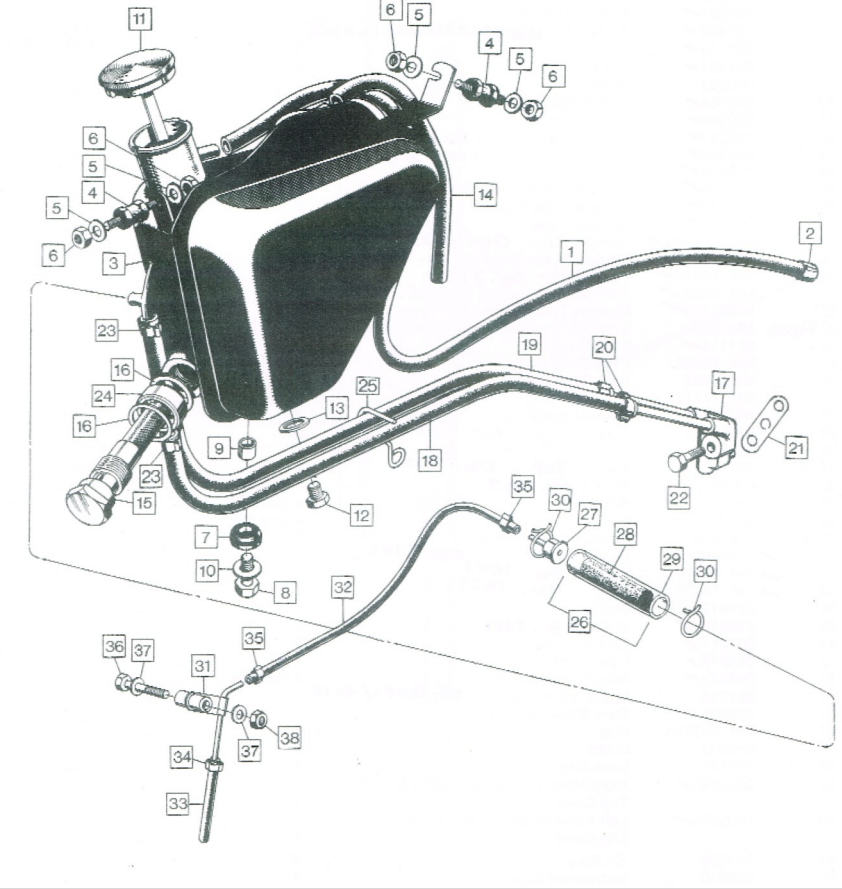














We are the only supplier of Commando & Dominator parts using the original factory drawings. Our products are mostly made in England and to original specification. We also offer Norton Rotary spares, factory service manuals and literature for **NORTON** and **TRIUMPH** motorcycles.

INSIST ON GENUINE FACTORY PARTS PACKAGED WITH THIS LOGO



NORTON COMMANDO OIL TANK AND FITTINGS (1971)

<p>1</p>  <p>06.1876</p>	<p>2</p>  <p>06.0576</p>	<p>3</p>  <p>06.3456</p>	<p>4</p>  <p>06.0636</p>	<p>5</p>  <p>60.2320</p>		
<p>6</p>  <p>14.0301</p>	<p style="text-align: center;">Weld Repair Brackets</p> <div style="display: flex; justify-content: space-around;"> <div data-bbox="359 705 582 873">  <p>06.2511</p> </div> <div data-bbox="582 705 805 873">  <p>06.1859</p> </div> </div>		<p>12</p>  <p>06.0668</p>			
<p>7</p>  <p>06.0811</p>	 <p style="text-align: center;">Oil Tank and fittings 1971</p>		<p>13</p>  <p>00.0200</p>			
<p>8</p>  <p>14.0104</p>			<p>14</p>  <p>06.2283</p>			
<p>9</p>  <p>06.1650</p>			<p>15</p>  <p>06.1159</p>			
<p>10</p>  <p>60.2320</p>			<p>16</p>  <p>04.2065</p>			
<p>11</p>  <p>06.5509</p>			<p>17</p>  <p>06.2206</p>	<p>18</p>  <p>06.2201P</p>	<p>19</p>  <p>06.2200P</p>	<p>20</p>  <p>06.3248</p>



We are the only supplier of Commando & Dominator parts using the original factory drawings. Our products are mostly made in England and to original specification. We also offer Norton Rotary spares, factory service manuals and literature for **NORTON** and **TRIUMPH** motorcycles.

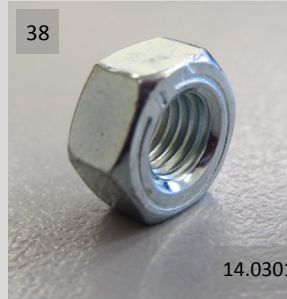
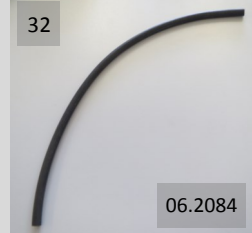
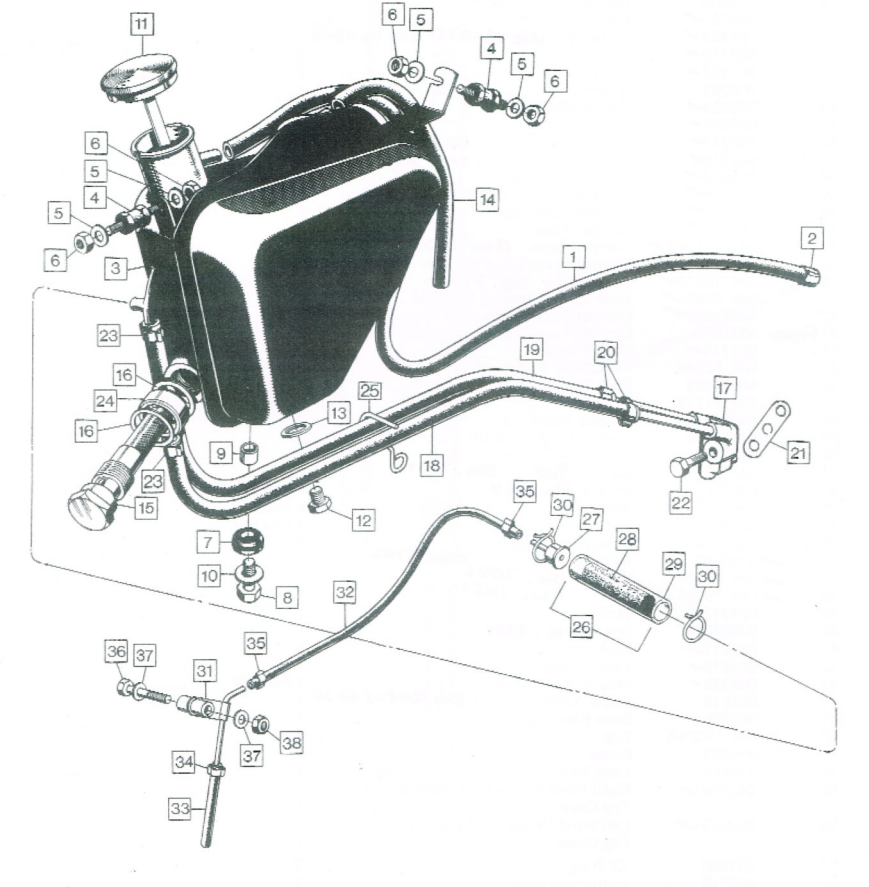
INSIST ON GENUINE FACTORY PARTS PACKAGED WITH THIS LOGO



NORTON COMMANDO OIL TANK AND FITTINGS (1971)



Oil Tank and fittings 1971







We are the only supplier of Commando & Dominator parts using the original factory drawings. Our products are mostly made in England and to original specification. We also offer Norton Rotary spares, factory service manuals and literature for **NORTON** and **TRIUMPH** motorcycles.

INSIST ON GENUINE FACTORY PARTS PACKAGED WITH THIS LOGO



NORTON COMMANDO OIL TANK AND FITTINGS (1972 & 1973)

 <p>1 06.3456</p>	 <p>2 06.0636</p>	 <p>3 60.2320</p>	 <p>4 14.0301</p>	 <p>5 06.0811</p>
 <p>6 14.0104</p>	<p>Weld Repair Brackets</p>			 <p>12 06.3370</p>
 <p>7 06.1650</p>	 <p style="text-align: center;">Oil Tank and fittings 1972 & 1973</p>			 <p>13 06.1159</p>
 <p>8 60.2320</p>				 <p>14 04.2065</p>
 <p>9 06.5509</p>				 <p>15 06.2206</p>
 <p>10 06.0668</p>				 <p>16 06.2200P</p>
 <p>11 06.2624</p>				 <p>17 06.3144P</p>



We are the only supplier of Commando & Dominator parts using the original factory drawings. Our products are mostly made in England and to original specification. We also offer Norton Rotary spares, factory service manuals and literature for **NORTON** and **TRIUMPH** motorcycles.

INSIST ON GENUINE FACTORY PARTS PACKAGED WITH THIS LOGO



NORTON COMMANDO OIL TANK AND FITTINGS (1972 & 1973)

<p>21</p> <p>06.3248</p>	<p>22</p> <p>06.2207</p>	<p>23</p> <p>06.1677</p>	<p>24</p> <p>06.1669</p>	<p>25</p> <p>06.0884</p>
<p>26</p> <p>06.0887</p>	<p>Weld Repair Brackets</p>			<p>32</p> <p>06.0920</p>
<p>27</p> <p>06.2496</p>	<p style="text-align: center;">Oil Tank and fittings 1972 & 1973</p>	<p>33</p> <p>06.0921</p>		
<p>28</p> <p>06.0886</p>		<p>34</p> <p>14.0206</p>		
<p>29</p> <p>06.0881</p>		<p>35</p> <p>60.2320</p>		
<p>30</p> <p>06.2084</p>		<p>36</p> <p>14.0301</p>		
<p>31</p> <p>06.2085</p>		<p>37</p> <p>06.3367</p>	<p>38</p> <p>06.3369</p>	<p>39</p> <p>06.3139</p>



We are the only supplier of Commando & Dominator parts using the original factory drawings. Our products are mostly made in England and to original specification. We also offer Norton Rotary spares, factory service manuals and literature for **NORTON** and **TRIUMPH** motorcycles.

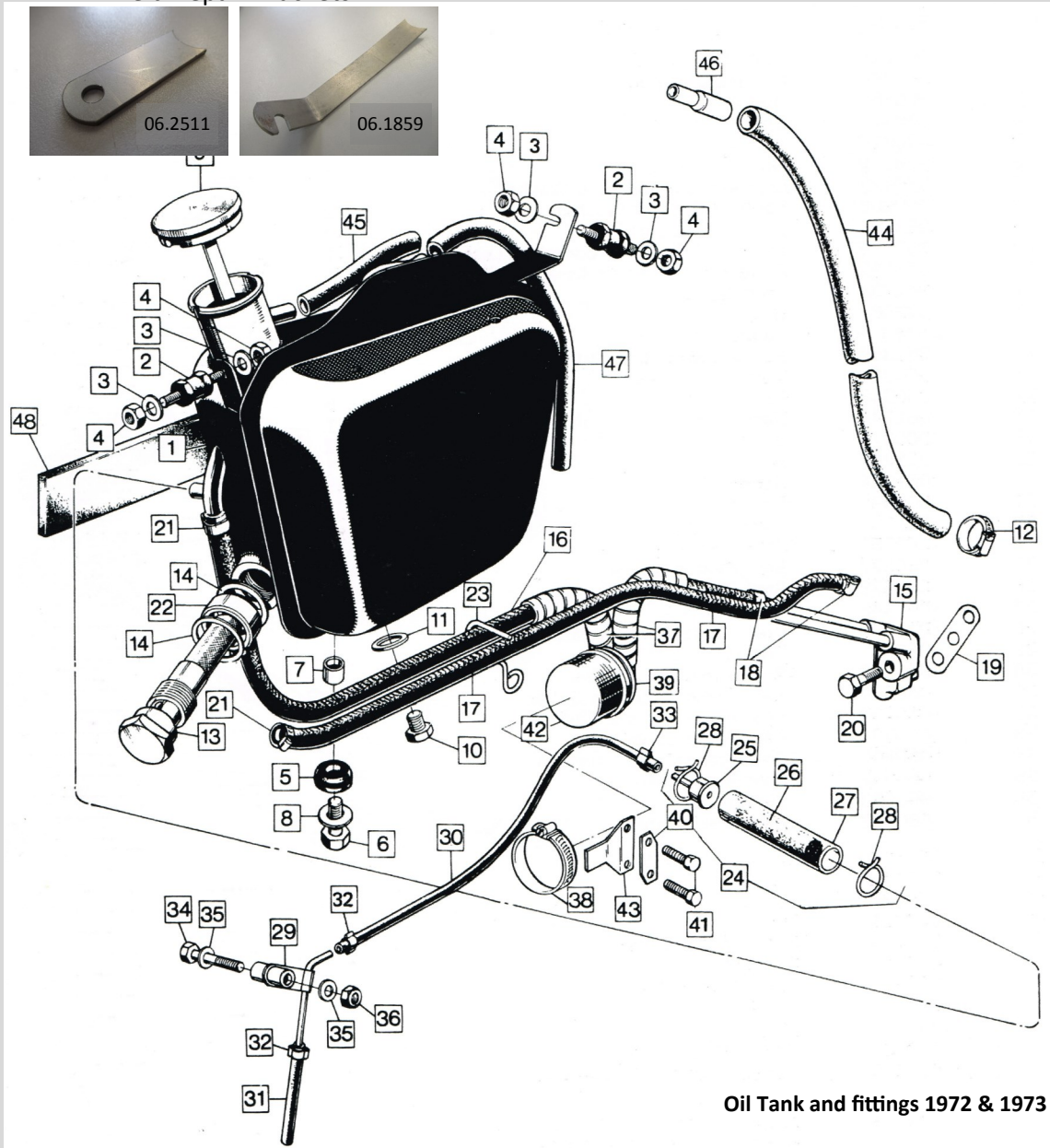
INSIST ON GENUINE FACTORY PARTS PACKAGED WITH THIS LOGO



NORTON COMMANDO OIL TANK AND FITTINGS (1972 & 1973)



Weld Repair Brackets



Oil Tank and fittings 1972 & 1973



We are the only supplier of Commando & Dominator parts using the original factory drawings. Our products are mostly made in England and to original specification. We also offer Norton Rotary spares, factory service manuals and literature for **NORTON** and **TRIUMPH** motorcycles.

INSIST ON GENUINE FACTORY PARTS PACKAGED WITH THIS LOGO



NORTON COMMANDO OIL TANK AND FITTINGS (1975 to 1978)

1 06.3456

2 06.0636

3 60.2320

4 14.0301

5 06.0811

6 14.0104

7 06.1650

8 60.2320

9 06.5509

10 06.0668

11 06.2624

12 06.1159

13 04.2065

14 06.4134

15 06.5420P

16 06.5393P

17 06.3144

18 06.3248

19 03.2044

20 06.2763

Oil tank and fittings 850 Mk3, 1975 to 1978



We are the only supplier of Commando & Dominator parts using the original factory drawings. Our products are mostly made in England and to original specification. We also offer Norton Rotary spares, factory service manuals and literature for **NORTON** and **TRIUMPH** motorcycles.

INSIST ON GENUINE FACTORY PARTS PACKAGED WITH THIS LOGO



NORTON COMMANDO OIL TANK AND FITTINGS (1975 to 1978)

Oil tank and fittings 850 Mk3, 1975 to 1978

